

Mini Horns KLH-KDH

KLH-KDH



push button for easy opening/locking of horn

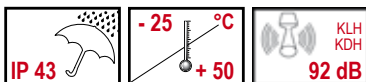
Features

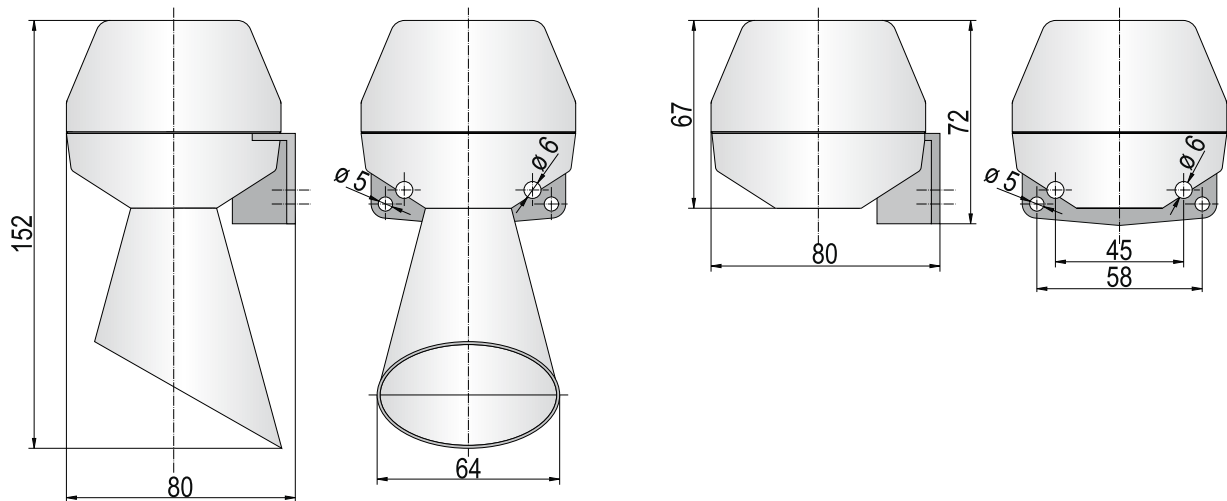
- ▶ Electromechanical horns in smaller design
- ▶ For universal audible applications
- ▶ Models with (KLH) or without cone (KDH)
- ▶ Attractive price/performance ratio
- ▶ 2 mounting widths



Technical data

Type	KLH	KDH
Housing, colour	ABS, grey RAL 7035	
Terminal	up to 2,5 mm ²	
Cable entry	6,5-15 mm	
Cable conduit	surface or buried	
Mounting	sound outlet downwards	
Duty cycle factor	100 %	
Protection class	IP 43 NEMA type 2	
Radio noise suppression	acc. to CENELEC EN 55014	
Temperature range	-25 °C to +50 °C	
Max. sound pressure	88-92 dB	
Weight	180 g	150 g



KLH-KDH

Order data

Nominal voltage (V)	Hz	Order No.		
		KLH (with cone)	KDH (without cone)	Nominal current (A)
24 V AC		710 100 105	710 000 105	0,090
48 V AC		710 100 108	710 000 108	0,060
110 V AC		710 100 110	710 000 110	0,021
230 V AC		710 100 113	710 000 113	0,011
12 V DC		710 100 004	710 000 004	0,055
24 V DC		710 100 005	710 000 005	0,026
110 V DC		710 100 010	710 000 010	0,011
220 V DC		710 100 013	710 000 013	0,011