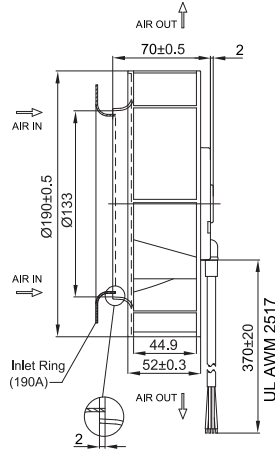


UF190APA Series

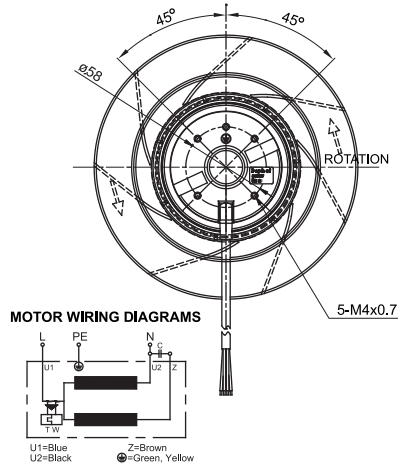
Size : $\varnothing 190 \times 70$
Unit : mm



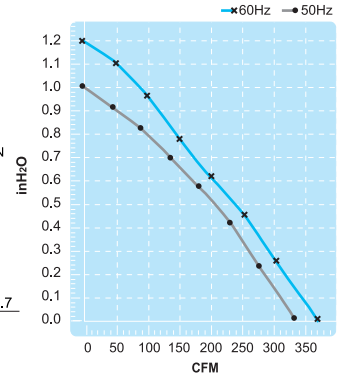
Thermally-Protected



Lead Wire Type



(Centrifugal Fan)



Spec.	Rated Voltage	Frequency	Input Power	Rated Current	Locked Current	Speed	Maximum Air Flow	Maximum Air Flow	Maximum Pressure	Maximum Pressure	Capacitor	Noise	Weight
Model	V	Hz	W	A	A	RPM	m ³ /min.	CFM	mmH ₂ O	InchH ₂ O	μF/VDB	dB	kg
UF190APA11H1C2A	115V	50	55	0.45	0.92	2500	9.5	335	25	1.0	6/250	60	1.2
		60	65	0.54	0.91	2700	10.4	370	30	1.2		63	
UF190APA23H1C2A	230V	50	57	0.23	0.43	2500	9.5	335	25	1.0	2/450	60	1.2
		60	72	0.30	0.45	2700	10.4	370	30	1.2		63	