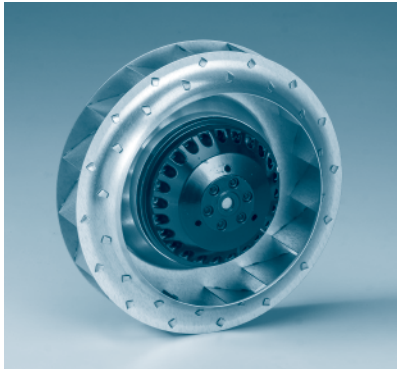
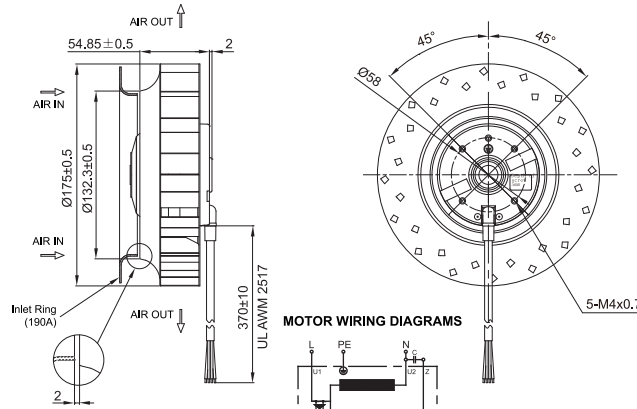


UF175AMA Series

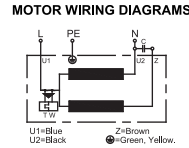
Size : $\varnothing 175 \times 54.85$
Unit : mm



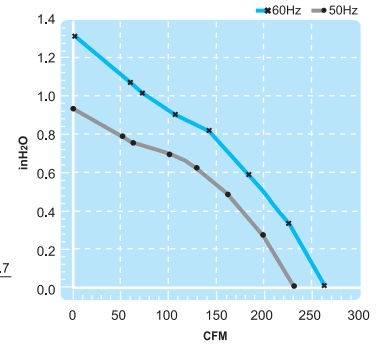
Thermally-Protected



Lead Wire Type



(Centrifugal Fan)



| Spec. / Model | Rated Voltage (V) | Frequency (Hz) | Input Power (W) | Rated Current (A) | Locked Current (A) | Speed (RPM) | Maximum Air Flow (m ³ /min.) | Maximum Air Flow (CFM) | Maximum Pressure (mmH ₂ O) | Maximum Pressure (InchH ₂ O) | Capacitor (μF/VDB) | Noise (dB) | Weight (kg) |
|-----------------|-------------------|----------------|-----------------|-------------------|--------------------|-------------|---|------------------------|---------------------------------------|---|--------------------|------------|-------------|
| UF175AMA11H1C2A | 115V | 50 | 55 | 0.48 | 0.76 | 2550 | 7.2 | 253 | 23 | 0.9 | 6/250 | 66 | 1.3 |
| | | 60 | 60 | 0.50 | 0.78 | 2900 | 8.0 | 284 | 33 | 1.3 | | 70 | |
| UF175AMA23H1C2A | 230V | 50 | 55 | 0.24 | 0.37 | 2550 | 6.9 | 244 | 23 | 0.9 | 1.5/450 | 66 | 1.3 |
| | | 60 | 60 | 0.26 | 0.38 | 2900 | 7.8 | 274 | 33 | 1.3 | | 70 | |