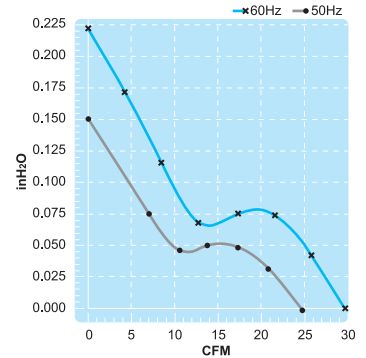
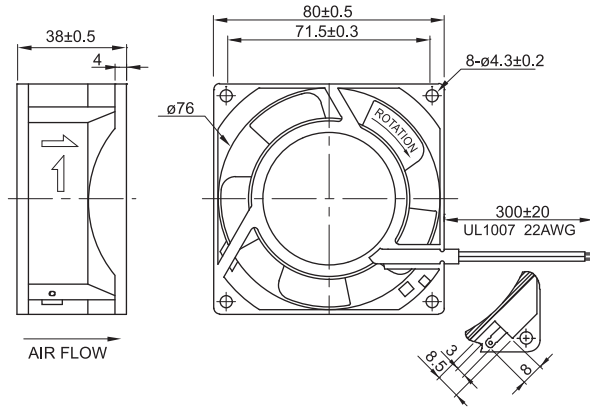


UF80A Series

Size : 80 x 80 x 38

Unit : mm



Impedance-Protected

Terminal or Lead Wire Type



Spec. / Model	Rated Voltage / V	Frequency / Hz	Input Power / W	Rated Current / A	Locked Current / A	Speed / RPM	Maximum Air Flow / m ³ /min.	Maximum Air Flow / CFM	Maximum Pressure / mmH ₂ O	Maximum Pressure / InchH ₂ O	Noise / dB	Weight / kg
UF80A10-H	100V	50	14	0.14	0.15	2500	0.68	24	3.6	0.14	32	0.28
		60	12	0.12	0.14	3000	0.83	30	5.3	0.21	36	
UF80A11-H	115V	50	12	0.14	0.15	2500	0.68	24	3.6	0.14	32	0.28
		60	9	0.12	0.13	3000	0.83	30	5.3	0.21	36	
UF80A20-H	200V	50	14	0.07	0.08	2500	0.68	24	3.6	0.14	32	0.28
		60	12	0.06	0.07	3000	0.83	30	5.3	0.21	36	
UF80A23-H	230V	50	14	0.07	0.08	2500	0.68	24	3.6	0.14	32	0.28
		60	12	0.06	0.07	3000	0.83	30	5.3	0.21	36	
UF80A11-L	115V	50	12	0.12	0.13	1900	0.55	20	2.5	0.10	28	0.28
		60	9	0.10	0.11	2400	0.70	25	4.0	0.16	32	
UF80A23-L	230V	50	14	0.06	0.07	1900	0.55	20	2.5	0.10	28	0.28
		60	12	0.05	0.06	2400	0.70	25	4.0	0.16	32	