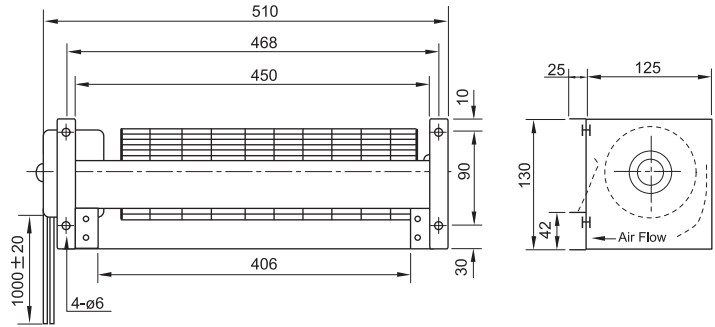
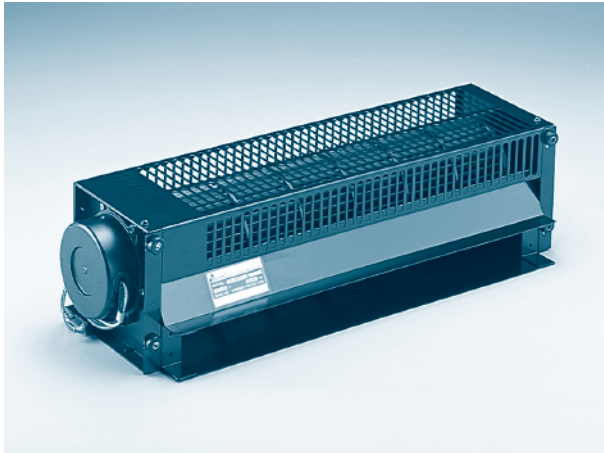


UF9439 Series

Size : 510x 150 x 130

Unit : mm



Thermally-Protected



Model	Spec.	Rated Voltage V	Frequency Hz	Input Power W	Rated Current A	Locked Current A	Speed RPM	Maximum Air Flow m ³ /min.	Maximum Air Flow CFM	Maximum Pressure mmH ₂ O	Maximum Pressure InchH ₂ O	Noise dB	Weight kg
UF9439CBP12H-L		120	50	43	0.40	0.60	1400	7.5	265	3.5	0.14	48	3.5
			60	50	0.40	0.60	1600	9.0	318	4.5	0.18	53	
UF9439CBP23H-L		230	50	43	0.20	0.31	1400	7.5	265	3.5	0.14	48	3.5
			60	50	0.22	0.31	1600	9.0	318	4.5	0.18	53	