

ES1

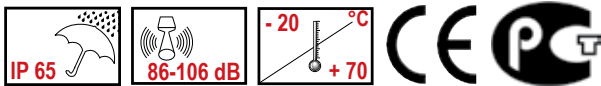


ES2



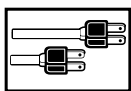
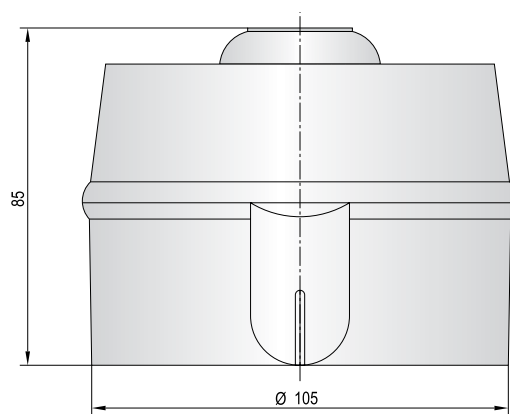
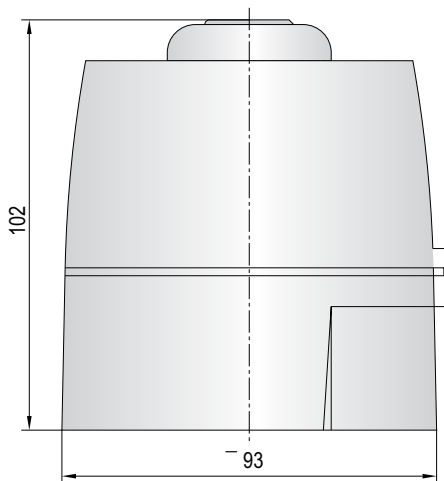
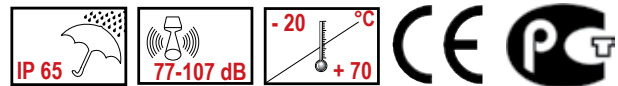
Features

- ▶ cost effective electronic siren with 32 tones
- ▶ wide range of internationally used signal tones for diverse applications
- ▶ second stage tone, see tone table
- ▶ tone type and volume selectable by DIP switch
- ▶ low nominal current (9-36 mA)
- ▶ easy mounting due to bayonet system
- ▶ lateral cable entry possible



Features

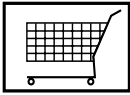
- ▶ cost effective electronic siren with 32 tones
- ▶ large selection of internationally used signal tones for diverse applications
- ▶ second stage alarm, see tone table
- ▶ tone types and volume adjustable by DIP switch
- ▶ low nominal current (12 mA)
- ▶ easy mounting due to bayonet system
- ▶ lateral cable entry possible



Technical data

Type	ES1	ES2
Housing colour	ABS, red RAL 3000, white RAL 9003	
Number of tones	32	
Nominal voltage (V. range)	24 V DC (15 - 35 V)	110, 230 V AC (+/- 10%)
Nominal current	≤ 0,009 - 0,036 A	0,012 A

Type	ES1	ES2
Temperature range	-20 °C to +70 °C	
Sound pressure	86 - 106 dB	77 - 107 dB
Tone frequency	440 - 2.900 Hz	440 - 2.850 Hz
Weight	250 g	295 g



Order data

Type	Nominal voltage (V)	Order No.		Nominal current (A)	Voltage range (V)	Weight (g)
		Housing red	Housing white			
ES1	24 V DC	C110 620 005	C110 220 005	0,009 - 0,036	15 - 35 V	250
ES2	110, 230 V AC	C115 600 113	C115 200 113	0,012	+/- 10%	295

Tone table ES1					
No.	Sound	Description	DIP-Switch	2nd stage alarm (Hz)	
1	LF Sweep	800 - 1.000 Hz @ 0.5 sec	11111	800 cont	
2	Alternative warble	800/960 Hz @ 2 Hz	11110	800 cont	
3	Warble Tone	800/1.000 Hz @ 0.5 sec	11101	800 cont	
4	Alternative warble	500/600 Hz @ 2 Hz	11100	500 cont	
5	HF Back up interrupted tone	2.800 Hz @ 1.0 sec on/off	11011	2.800 cont	
6	LF Back up Alarm	800 Hz @ 150 msec on/off	11010	800 cont	
7	HF Back up interrupted tone - fast	2.800 Hz @ 150 msec on/off	11001	800 cont	
8	LF Continuous tone BS5839	800 Hz cont	11000	Same tone	
9	Sweep tone (1 Hz)	800/900 Hz @ 1 Hz	10111	800 cont	
10	Australian slow whoop	Interrupted tone 970 Hz 0.625 msec on/0.625 msec off	10110	500-1.200	
				3.75 sec on 0.25 sec off	
11	Dutch sweep tone	970Hz cont	10101	500-1.200	
				3.5 sec on 0.5 sec off	
12	Analogue sweep tone	500/600 Hz @ 2 Hz	10100	500 cont	
13	Sweep tone (3Hz)	800/970 Hz @ 3 Hz	10011	800 cont	
14	Alternate HF slow sweep	2.350/2.900 Hz @ 3 Hz	10010	2.400 cont	
15	Fast HF sweep	2.400-2.800 Hz @ 7 Hz	10001	2.400 cont	
16	US Temporal Pattern LF	950 Hz for 0.5 sec on 0.5 sec off x 3 then 1.5 sec then repeat	10000	800 cont	
17	Interrupted tone	Interrupted tone 800 Hz @ 0.5 sec on/off	01111	800 cont	
18	ISO 8201 LF BS5839 Pt 1 1988	Intermittent 970 Hz 500 msec on/500 msec off	01110	Same tone	
19	Interrupted tone medium	1000 Hz @ 0.25 sec on/off	01101	800 cont	
20	ISO 8201 HF	970 Hz 500 msec on/500 msec off	01100	Same tone	
21	Continuous tone	1000 Hz continuous	01011	Same tone	
22	LF Buzz	800-950 Hz swept @ 110 Hz	01010	800 cont	
23	HF Continuous	2.800 Hz	01001	2.800 cont	
24	Sweep tone (9 Hz)	800-970 Hz @ 9 Hz	01000	800 cont	
25	German DIN tone	Sweep 1200-500 Hz @ 1 Hz	00111	800 cont	
26	Swedish Fire signal	Intermittent 660 Hz 150 msec on/150 msec off	00110	Same tone	
27	French tone AFNOR	554 Hz for 100 msec and 440 Hz for 400 msec	00101	800 cont	
28	Swedish all clear signal	Continuous 660 Hz	00100	Same tone	
29	US Temporal Pattern HF	2900 Hz for 0.5 sec on 0.5 sec off x 3 then off for 1.5 sec then repeat	00011	2.900 cont	
30	Siren 2 way ramp (short)	500/1200 Hz rising then falling 0.25 sec	00010	800 cont	
31	FP 1063.1 - Telecom	Alternating tone 800/970 Hz @ 2 Hz	00001	800 cont	
32	Siren 2 way ramp (long)	500/1200 Hz 3 sec rising / 3 sec falling	00000	800 cont	

Tone table ES2				
No.	Tone	DIP-Switch	2nd stage alarm (Hz)	
1	Warble tone 800/1000 Hz @ 0.5 sec	11111	800	
2	Warble tone 800/1000 Hz @ 0.25 sec	01111	1.000	
3	Interrupted tone 800 Hz @ 0.5 sec on/off	10111	800	
4	Interrupted tone 1000 Hz @ 0.25 sec on/off	00111	1.000	
5	Slow Whoop 500-1200 Hz in 3 sec then 0.5 sec off	11011	500	
6	Slow Whoop 1200-500 Hz in 3 sec then 0.5 sec off	01011	1.200	
7	Australian Slow Whoop 500-1200 Hz in 3.5 sec; 0.25 sec off	10011	500	
8	L.F. Sweep frequency 800-1000 Hz in 0.5 sec	00011	800	
9	L.F. Sweep frequency 800-1000 Hz in 0.25 sec	11101	800	
10	L.F. Sweep frequency 800-1000 Hz in 0.1 sec	01101	800	
11	Sweep frequency 1200-500 Hz in 1sec	10101	1.200	
12	Warble tone 554/440 Hz @ 0.5 sec	00101	554	
13	Warble tone 554 Hz für 0.1 sec/ 440Hz für 0.4 sec	11001	554	
14	Interrupted tone 660 Hz for 150 msec on/off	01001	660	
15	Interrupted tone 660 Hz for 150 msec on/off	10001	660	
16	Interrupted tone 660 Hz for 570 msec on/off	00001	660	
17	Group of 3 interrupted tone 1000 Hz @ 0.5 sec on/off then 1.5 sec off	11110	1.000	
18	Group of 3 warble tone 1000/800 Hz @ 0.5 sec then 1.5 sec off	01110	1.000	
19	Group of 3 Sweep 500-1200 Hz in 0.5 sec on/off then 1.5 sec off	10110	500	
20	Group of 3 sweep 1200-500 Hz in 0.5 sec then 1.5 sec off	00110	1.200	
21	Linear frequency sweep 2000-2500 Hz in 0.5 sec	11010	2.000	
22	Linear frequency sweep 2000-2500 Hz in 0.25 sec	01010	2.000	
23	H.F. warble tone 2000/2500 Hz @ 0.5 sec	10010	2.000	
24	H.F. warble tone 2000/2500 Hz @ 0.25 sec	00010	2.000	
25	H.F. interrupted tone 2850 Hz @ 150 msec on/off	11100	2.000	
26	H.F. interrupted tone 800 Hz @ 0.5 sec on/off	01100	2.850	
27	Very fast H.F. sweep 2400-2800 Hz in 20 msec (50 Hz)	10100	2.400	
28	Fast H.F. sweep 2400-2800 Hz in 0.143 sec (7 Hz)	00100	2.400	
29	H.F. Sweep 2400-2800 Hz in 0.5 sec. (2 Hz)	11000	2.400	
30	2 way ramp, 500-1200, rising then falling in 0.25 sec	01000	500	
31	Siren 2 way ramp 3 sec rising then 3 sec falling, 500-1200 Hz	10000	500	
32	Ding Dong group 2700-0 Hz, then 570-80 Hz off for 4 sec	00000	700	

