

Montageanweisung / *Instruction sheet*

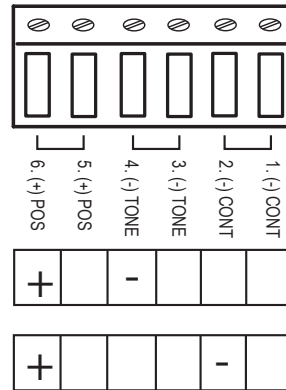
**ACHTUNG:** Schalten Sie den Strom während der Installation oder bei Wartungsarbeiten ab um einen elektrischen Schlag zu vermeiden. Prüfen Sie die Spannung und Frequenz der Stromquelle.

**ATTENTION:** Disconnect from power source to prevent electrical shock before installing or servicing. Check power supply voltage and frequency.

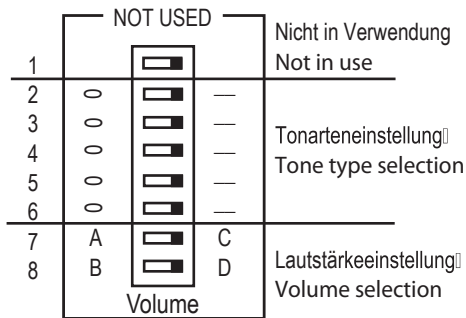
Technische Daten / *Technical Data*

Versorgungsspannung / <i>nominal voltage</i>	15 - 35 VDC
Nennstrom / <i>nominal current</i>	36 mA @ 24 VDC
Schutzart / <i>Ingress protection</i>	IP65
Schalldruck / <i>sound level</i>	Max. 106 dB
Lautstärkeregelung / <i>volume control</i>	-20 dB
Temperaturbereich / <i>temperature range</i>	-20°C .. +70°C

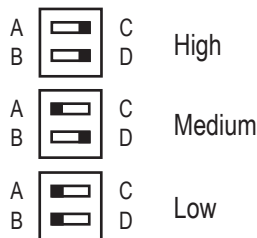
Elektrischer Anschluss / *Electrical connection*



Tonarteneinstellung / *Tone type selection*

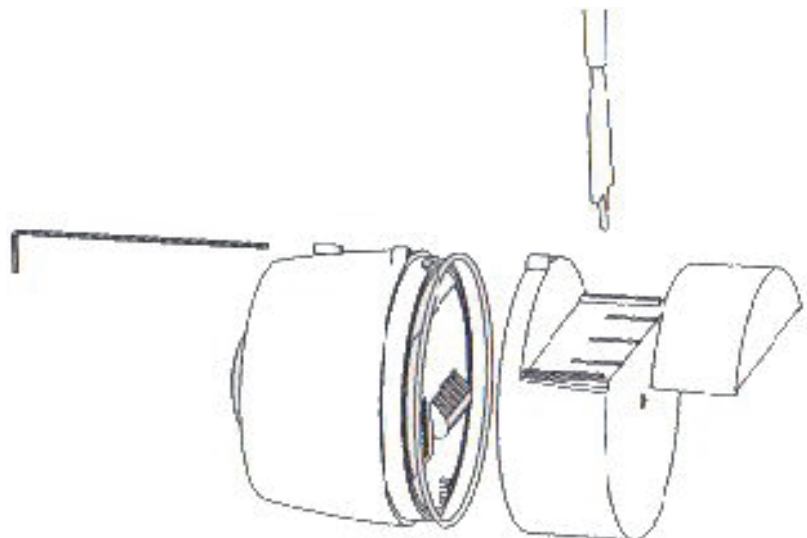


Lautstärkeeinstellung  
Volume selection



Gehäuse für IP65 / *Housing for IP65*

Inbusschlüssel wird nicht mitgeliefert  
 Allen key not supplied.



Bohrschablone auf Anfrage oder downloadbar auf Auer Webseite

*Drilling template on request or downloadable on Auer Website*

# Tone table ES1/CS1

Nr.	Sound	Tone frequency	DIP-switch	2nd stage alarm (Hz)	Typical Current (mA)			Typical Sound Output (dBa)		
					L	M	H	L	M	H
1	LF Sweep	800 - 1000Hz @ 0.5 sec	1 1 1 1 1	800 cont	7	12	18	86	101	106
2	Alternative warble BS standard	800/960Hz @ 2Hz	1 1 1 1 0	800 cont	7	12	17	86	100	105
3	Warble Tone BS standard	800/1000Hz @ 0.5 sec	1 1 1 0 1	800 cont	7	12	18	87	101	106
4	Alternative warble BS standard	500/600Hz @ 2Hz	1 1 1 0 0	500 cont	6	10	13	84	99	102
5	HF Back up interrupted tone	2800Hz @ 1.0 sec on/off	1 1 0 1 1	2800 cont	8	17	35	93	106	114
6	LF Back up Alarm	800Hz @ 150 msec on/off	1 1 0 1 0	800 cont	6	9	12	80	95	99
7	HF Back up interrupted tone - fast	2800Hz @ 150 msec on/off	1 1 0 0 1	800 cont	7	16	35	92	105	113
8	LF Continuous tone BS5839	800Hz cont	1 1 0 0 0	Same tone	7	11	16	82	96	100
9	Sweep tone ( 1Hz)	800/900Hz @ 1Hz	1 0 1 1 1	800 cont	7	12	19	87	101	106
10	Australian slow whoop	Intermittent 970Hz 0.625ms on/0.625ms off	1 0 1 1 0	500-1200 3.75 sec on 0.25 sec off	7	12	18	87	101	106
11	Dutch sweep tone	970Hz cont	1 0 1 0 1	500-1200 3.5 sec on 0.5 sec off	7	12	18	87	101	106
12	Analogue sweep tone	500/600Hz @ 2Hz	1 0 1 0 0	500 cont	6	10	13	84	99	102
13	Sweep tone (3Hz)	800/970Hz @ 3Hz	1 0 0 1 1	800 cont	7	12	17	85	100	105
14	Alternate HF slow sweep	2350/2900Hz @ 3Hz	1 0 0 1 0	2400 cont	8	16	32	92	106	113
15	Fast HF sweep	2400-2800Hz @ 7Hz	1 0 0 0 1	2400 cont	8	16	32	92	105	112
16	US Temporal Pattern LF	950Hz for 0.5 sec on 0.5 sec offx3 then 1.5 sec then repeat	1 0 0 0 0	800 cont	6	11	13	86	100	104
17	Interrupted tone BS standard	Interrupted tne 800Hz @ 0.5 sec on/off	0 1 1 1 1	800 cont	6	9	12	81	96	100
18	ISO 8201 LF BS5839 Pt.1 1988	Intermittent 970Hz 500ms on/500ms off	0 1 1 1 0	Same tone	6	11	13	87	101	106
19	Interrupted tone medium	1000Hz @ 0.25 sec on/off	0 1 1 0 1	800 cont	6	9	12	86	101	105
20	ISO8201 HF	Intermittent 970Hz 500 ms on /500 ms off	0 1 1 0 0	Same tone	7	16	35	92	105	113
21	Continuous tone	1000Hz continuous	0 1 0 1 1	Same tone	7	12	19	87	101	106
22	LF Buzz	800-950Hz swept @ 110Hz	0 1 0 1 0	800 cont	7	12	17	86	100	105
23	HF Continuous	2800Hz	0 1 0 0 1	2800 cont	8	17	35	93	106	114
24	Sweep tone (9Hz)	800-970Hz @ 9Hz	0 1 0 0 0	800 cont	7	12	17	86	101	105
25	German DIN tone	Sweep 1200-500Hz @ 1Hz	0 0 1 1 1	800 cont	7	11	17	85	100	104
26	Swedish Fire signal	Intermittent 660Hz 150 ms on / 150 ms off	0 0 1 1 0	Same tone	6	8	11	82	97	101
27	French tone AFNOR	554Hz for 100 ms and 440Hz for 400ms	0 0 1 0 1	800 cont	6	9	12	83	99	102
28	Swedish all clear signal	Continuous 660Hz	0 0 1 0 0	Same tone	6	10	15	83	98	102
29	US Temporal Pattern HF	2900Hz for 0.5 sec on 0.5 offx3, off for 1.5 sec then repeat	0 0 0 1 1	2900 cont	8	12	31	92	105	113
30	Siren 2 way ramp (short)	500/1200Hz rising then falling 0.25 sec	0 0 0 1 0	800 cont	7	11	15	85	99	103
31	FP 1063.1 - Telecom	Alternating tone 800/970 Hz @ 2Hz	0 0 0 0 1	800 cont	7	12	17	86	101	105
32	Siren 2 way ramp (long)	500/1200Hz 3 sec rising / 3 sec falling	0 0 0 0 0	800 cont	7	12	19	87	101	105