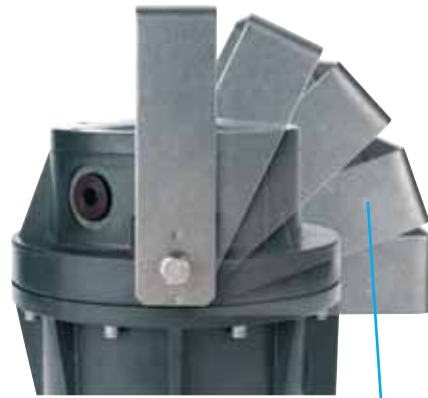


Ex-Proof Signal Horns dHH-dHHR



mounting bracket 4VA stainless



terminal connection chamber in protection class increased safety „e“



II 2 G Ex d e IIC T5, T6 Gb
II 2 D Ex tb IIIC T95 °C, T80 °C Db
-20 °C ≤ Ta ≤ +75 °C/+70 °C
Zone 1, 2, 21, 22

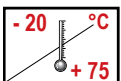
Features

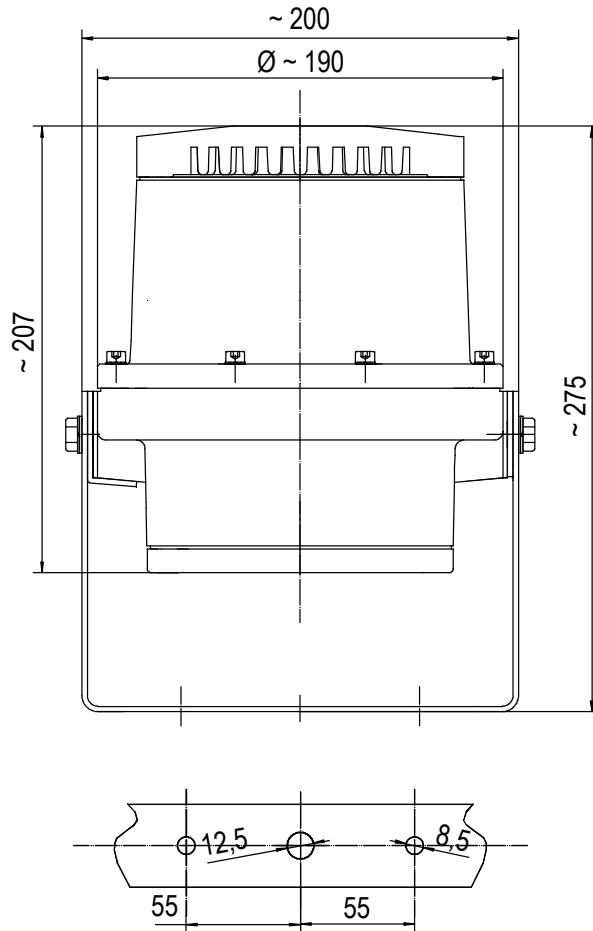
- ▶ Loud signal horn with typical horn tone
- ▶ For use in explosion endangered areas of zone 1 and 2
- ▶ Modular system with synthetic housing made of glassfibre reinforced polyester
- ▶ Flameproof chamber „d“ – terminal connection chamber in protection class increased safety „e“
- ▶ Lower weight – robust and corrosion proof design
- ▶ Insulation class II – no equipotential bonding required
- ▶ DC models with electronic contact breaker – significantly higher lifetime
- ▶ Model dHHR with integrated telephone call current relay



Technical data

Type	dHH - dHHR
Housing, colour	glassfibre reinforced polyester black RAL 9005
Terminal	1,5 mm ² fine wire 2,5 mm ² single wire
Cable entry	cable gland M20 x 1,5 blind plug M20 x 1,5 dHHR: 2 x cable gland M20 x 1,5
Mounting	as required - swiveling mounting bracket, preferably sound outlet to front or downwards
Operation	continuous
Insulation class	II no equipotential bonding required
Weight	5,5 kg
Approval	PTB 01 ATEX 1133





Order data

Type	Denomination	Tone options		Nominal voltage (V)	Hz	Voltage range (V)	Nominal current (A)	Order No.
		Tone types	Sound press. (dB)					
dHH	Ex-proof signal horn	continuous	105	6 V AC	50	+10%/ -15%	2,300	300 000 103
				12 V AC			1,200	300 000 104
				24 V AC			0,650	300 000 105
				42 V AC			0,300	300 000 107
				48 V AC			0,350	300 000 108
				60 V AC			0,250	300 000 109
				110 V AC			0,150	300 000 110
				230 V AC	0,070		300 000 113	
				120 V AC	60		0,150	300 000 211
				240 V AC			0,070	300 000 213
				6 V DC			1,000	300 000 003
				12 V DC	0,600		300 000 004	
				24 V DC	0,300		300 000 005	
				48 V DC	0,170		300 000 008	
				60 V DC	0,150		300 000 009	
				110 V DC	0,080		300 000 010	
				220 V DC	0,050		300 000 013	
dHHR	Ex-proof signal horn with telephone call current relay	continuous	105	230 V AC	50		0,070	300 100 113

