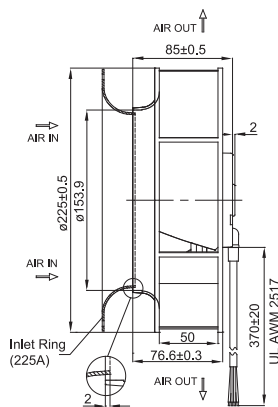


UF225(85)APA Series

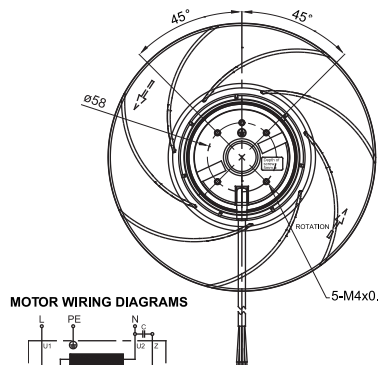
Size : $\varnothing 225 \times 85$
Unit : mm



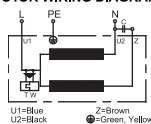
Thermally-Protected



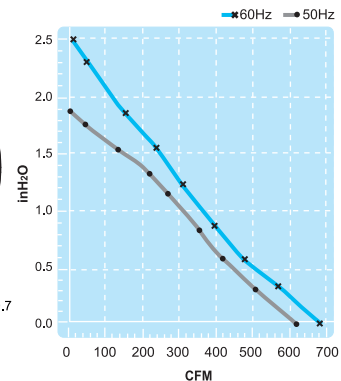
Lead Wire Type



MOTOR WIRING DIAGRAMS



(Centrifugal Fan)



Spec. / Model	Rated Voltage V	Frequency Hz	Input Power W	Rated Current A	Locked Current A	Speed RPM	Maximum Air Flow m ³ /min.	Maximum Air Flow CFM	Maximum Pressure mmH ₂ O	Maximum Pressure InchH ₂ O	Capacitor μ F/VDB	Noise dB	Weight kg
UF225(85)APA 11H1C2A	115V	50	115	1.15	2.22	2700	17.5	618	46	1.8	12/250	71	2.3
		60	135	1.20	2.30	3000	19.2	680	64	2.5		75	
UF225(85)APA 23H1C2A	230V	50	115	0.57	1.14	2700	17.5	618	46	1.8	3/450	71	2.3
		60	135	0.60	1.15	3000	19.2	680	64	2.5		75	