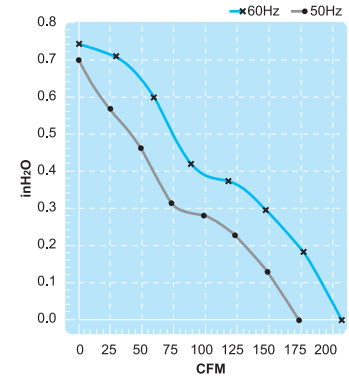
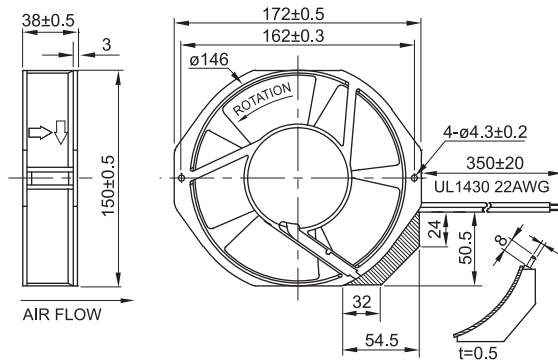
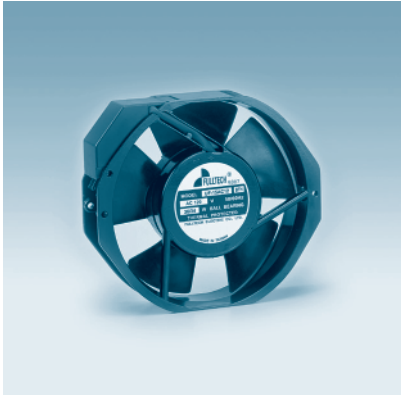


UF15A(C) Series

Size : 172 x 150 x 38
Unit : mm



Thermally-Protected

Terminal or Lead Wire Type



| Spec. Model | Rated Voltage V | Frequency Hz | Input Power W | Rated Current A | Locked Current A | Speed RPM | Maximum Air Flow m ³ /min. | Maximum Air Flow CFM | Maximum Pressure mmH ₂ O | Maximum Pressure InchH ₂ O | Noise dB | Weight kg |
|-------------|-----------------|--------------|---------------|-----------------|------------------|-----------|---------------------------------------|----------------------|-------------------------------------|---------------------------------------|----------|-----------|
| UF15AC10-H | 100V | 50 | 27 | 0.29 | 0.47 | 2850 | 5.0 | 177 | 17.0 | 0.67 | 54 | 0.72 |
| | | 60 | 25 | 0.25 | 0.47 | 3400 | 6.0 | 212 | 19.0 | 0.75 | 58 | |
| UF15AC11-H | 115V | 50 | 29 | 0.25 | 0.36 | 2850 | 5.0 | 177 | 17.0 | 0.67 | 54 | 0.72 |
| | | 60 | 28 | 0.23 | 0.38 | 3400 | 6.0 | 212 | 19.0 | 0.75 | 58 | |
| UF15AC20-H | 200V | 50 | 27 | 0.13 | 0.21 | 2850 | 5.0 | 177 | 17.0 | 0.67 | 54 | 0.72 |
| | | 60 | 25 | 0.12 | 0.22 | 3400 | 6.0 | 212 | 19.0 | 0.75 | 58 | |
| UF15AC23-H | 230V | 50 | 27 | 0.11 | 0.18 | 2850 | 5.0 | 177 | 17.0 | 0.67 | 54 | 0.72 |
| | | 60 | 26 | 0.11 | 0.18 | 3400 | 6.0 | 212 | 19.0 | 0.75 | 58 | |
| UF15AC11-L | 115V | 50 | 29 | 0.17 | 0.20 | 1400 | 2.4 | 85 | 4.50 | 0.18 | 38 | 0.72 |
| | | 60 | 28 | 0.15 | 0.20 | 1700 | 2.9 | 103 | 6.50 | 0.26 | 44 | |
| UF15AC23-L | 230V | 50 | 27 | 0.08 | 0.10 | 1400 | 2.4 | 85 | 4.50 | 0.18 | 38 | 0.72 |
| | | 60 | 26 | 0.07 | 0.10 | 1700 | 2.9 | 103 | 6.50 | 0.26 | 44 | |