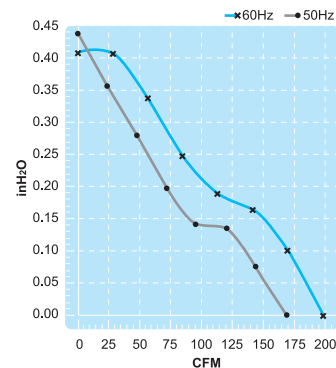
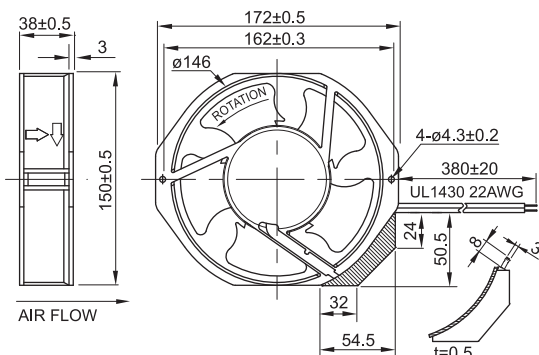
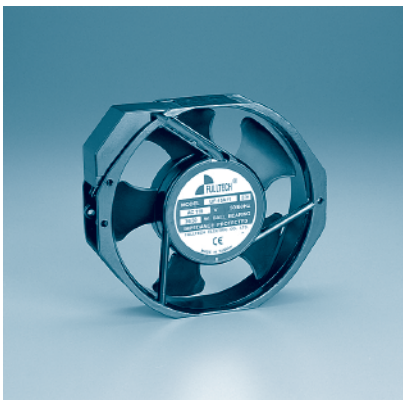


UF15A Series

Size : 172 x 150 x 38

Unit : mm



Impedance-Protected

Terminal or Lead Wire Type



Model	Spec.	Rated Voltage V	Frequency Hz	Input Power W	Rated Current A	Locked Current A	Speed RPM	Maximum Air Flow m ³ /min.	Maximum Air Flow CFM	Maximum Pressure mmH ₂ O	Maximum Pressure InchH ₂ O	Noise dB	Weight kg
UF15A11-H		115V	50	36	0.50	0.66	2750	4.7	166	11	0.43	50	0.78
			60	30	0.38	0.56	3200	5.6	198	10	0.40	55	
UF15A23-H		230V	50	37	0.25	0.32	2750	4.7	166	11	0.43	50	0.78
			60	31	0.19	0.28	3200	5.6	198	10	0.40	55	