

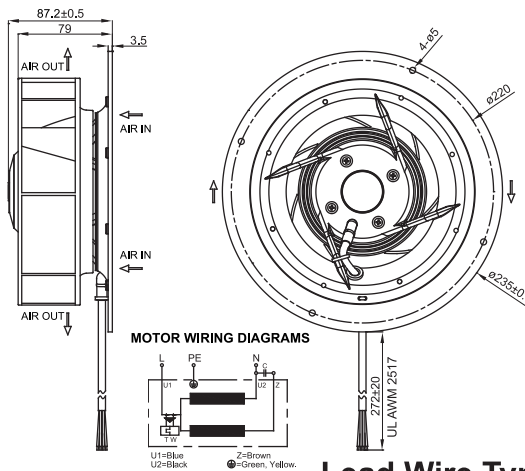
# UF190APA-F Series

Size :  $\varnothing 235 \times 87.2$

Unit : mm

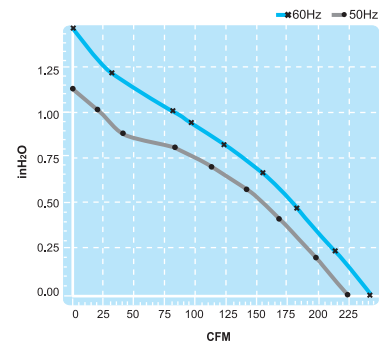


**Thermally-Protected**



**Lead Wire Type**

**(Centrifugal Fan)**



Spec.	Rated Voltage	Frequency	Input Power	Rated Current	Locked Current	Speed	Maximum Air Flow	Maximum Air Flow	Maximum Pressure	Maximum Pressure	Capacitor	Noise	Weight
Model	V	Hz	W	A	A	RPM	m <sup>3</sup> /min.	CFM	mmH <sub>2</sub> O	InchH <sub>2</sub> O	μF/VDB	dB	kg
UF190APA11H1C2F	115V	50	55	0.45	0.92	2500	6.5	230	29	1.1	6/250	60	1.5
		60	65	0.54	0.91	2700	7.0	247	38	1.5		63	
UF190APA23H1C2F	230V	50	57	0.23	0.43	2500	6.5	230	29	1.1	2/450	60	1.5
		60	72	0.30	0.45	2700	7.0	247	38	1.5		63	