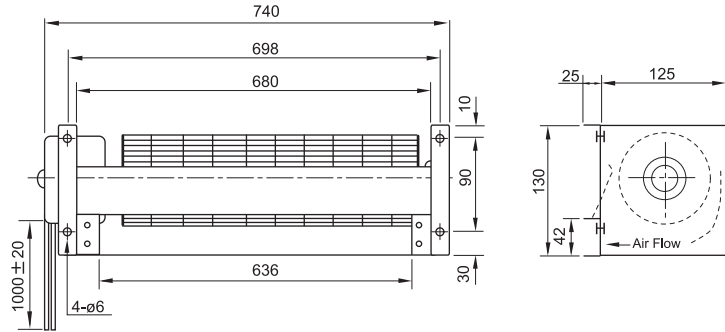
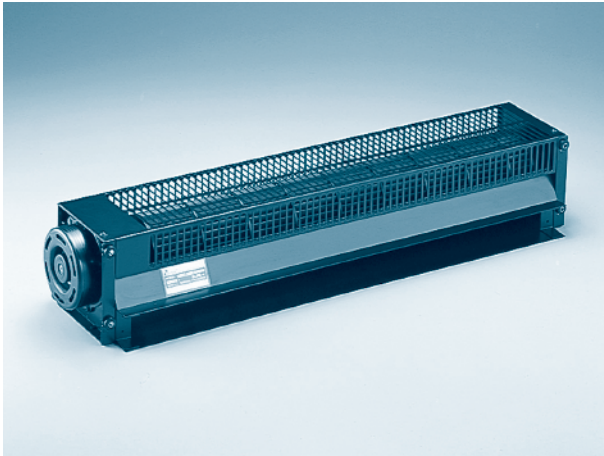


UF9060 Series

Size : 740 x 150 x 130

Unit : mm



Thermally-Protected



Model	Spec.	Rated Voltage V	Frequency Hz	Input Power W	Rated Current A	Locked Current A	Speed RPM	Maximum Air Flow m ³ /min.	Maximum Air Flow CFM	Maximum Pressure mmH ₂ O	Maximum Pressure InchH ₂ O	Noise dB	Weight kg
UF9060CBP12H-L		120	50	130	1.00	1.40	2150	15.5	550	9	0.35	55	6
			60	160	1.25	1.40	2100	15.0	530	11	0.43	54	
UF9060CBP23H-L		230	50	130	0.55	0.75	2150	15.5	550	9	0.35	55	6
			60	160	0.70	0.75	2100	15.0	530	11	0.43	54	