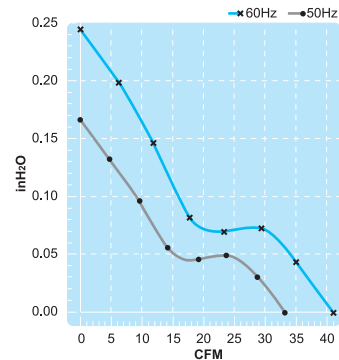
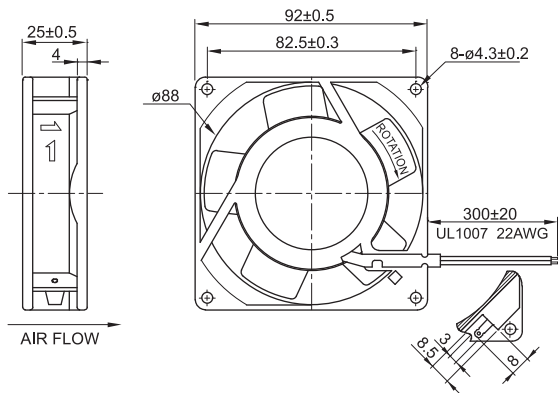


# UF92B Series

Size : 92 x 92 x 25  
Unit : mm



**Impedance-Protected**

**Terminal or Lead Wire Type**



Spec.	Rated Voltage	Frequency	Input Power	Rated Current	Locked Current	Speed	Maximum Air Flow	Maximum Air Flow	Maximum Pressure	Maximum Pressure	Noise	Weight
Model	V	Hz	W	A	A	RPM	m <sup>3</sup> /min.	CFM	mmH <sub>2</sub> O	InchH <sub>2</sub> O	dB	kg
UF92B10-H	100V	50	16	0.19	0.20	2500	0.93	33	4.2	0.17	32	0.28
		60	14	0.18	0.19	3000	1.13	40	6.1	0.24	36	
UF92B11-H	115V	50	14	0.15	0.16	2500	0.93	33	3.8	0.15	32	0.28
		60	11	0.12	0.13	3000	1.13	40	5.3	0.21	36	
UF92B20-H	200V	50	16	0.08	0.09	2500	0.93	33	4.2	0.17	32	0.28
		60	14	0.07	0.08	3000	1.13	40	6.1	0.24	36	
UF92B23-H	230V	50	16	0.08	0.09	2500	0.93	33	4.2	0.17	32	0.28
		60	14	0.07	0.08	3000	1.13	40	6.1	0.24	36	
UF92B11-L	115V	50	14	0.14	0.15	1800	0.55	20	2.5	0.10	28	0.28
		60	11	0.11	0.12	2300	0.70	25	4.0	0.16	32	
UF92B23-L	230V	50	16	0.07	0.08	1800	0.65	23	1.8	0.07	28	0.28
		60	14	0.06	0.07	2300	0.88	31	3.3	0.13	32	