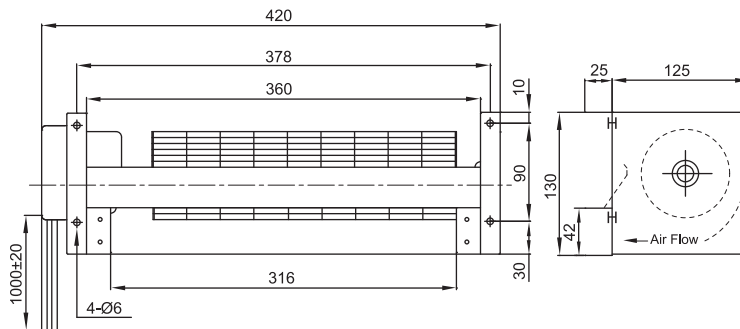
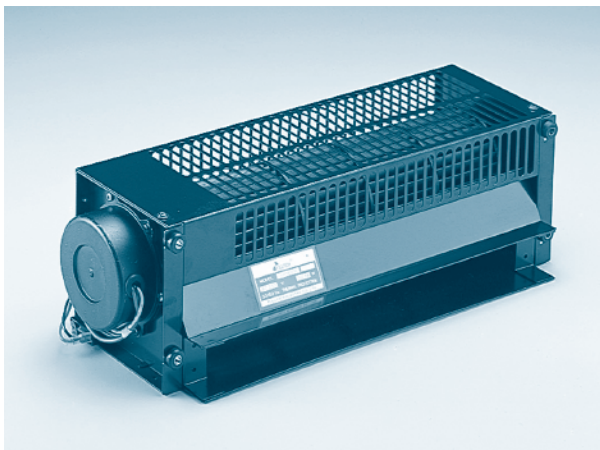


# UF9029 Series

Size : 420 x 150 x 130

Unit : mm



## Thermally-Protected



Model	Spec.	Rated Voltage V	Frequency Hz	Input Power W	Rated Current A	Locked Current A	Speed RPM	Maximum Air Flow m <sup>3</sup> /min.	Maximum Air Flow CFM	Maximum Pressure mmH <sub>2</sub> O	Maximum Pressure InchH <sub>2</sub> O	Noise dB	Weight kg
UF9029CBP12H-L		120	50	33	0.28	0.40	1350	4.5	159	2.2	0.09	43	3.0
			60	31	0.27	0.40	1560	5.0	177	3.3	0.13	46	
UF9029CBP23H-L		230	50	33	0.14	0.20	1350	4.5	159	2.2	0.09	43	3.0
			60	31	0.13	0.19	1560	5.0	177	3.3	0.13	46	