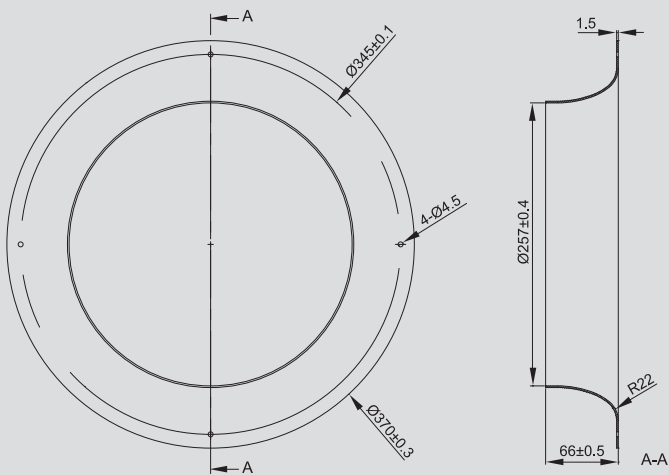
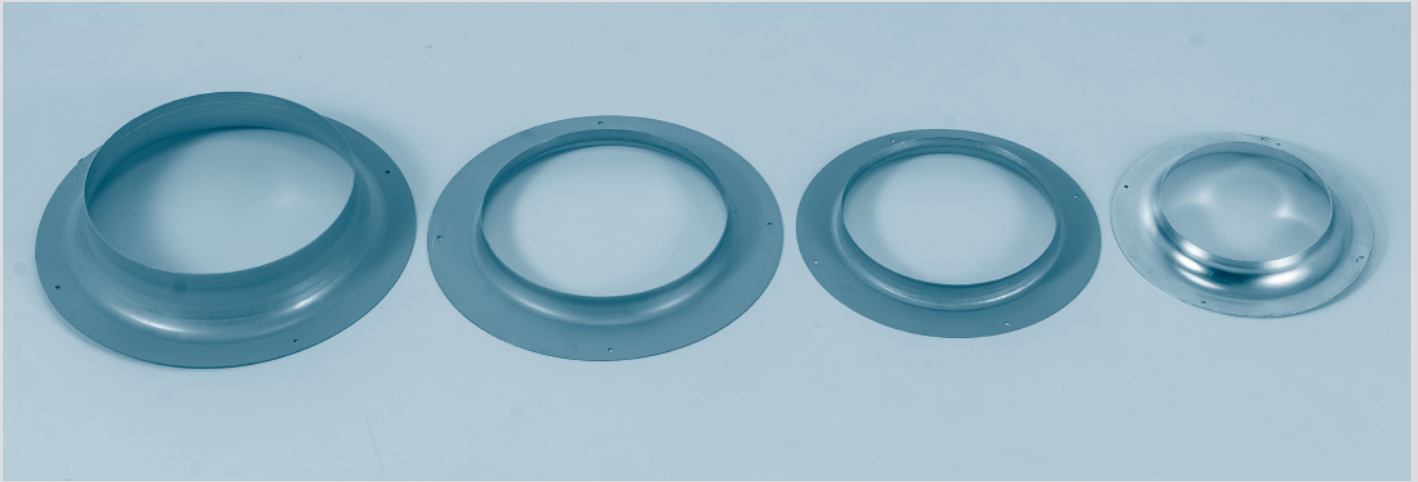


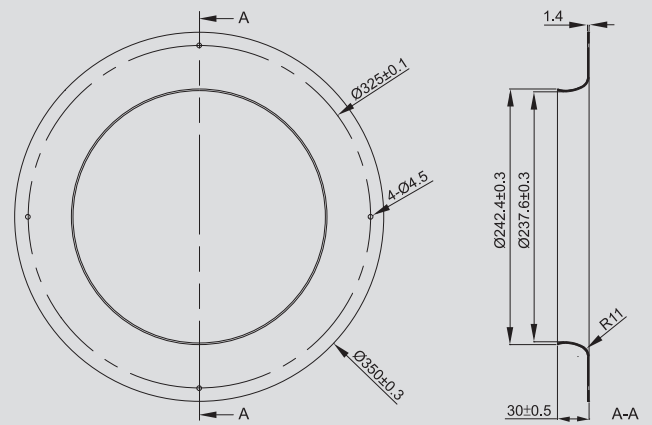
ACCESSORIES

Duct Ring (for Centrifugal Fan)

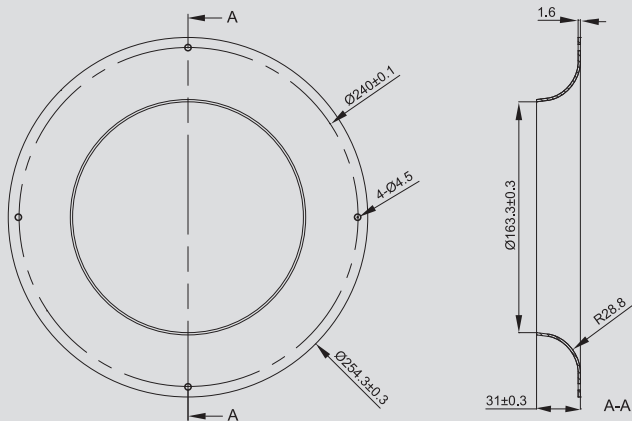
Unit: mm



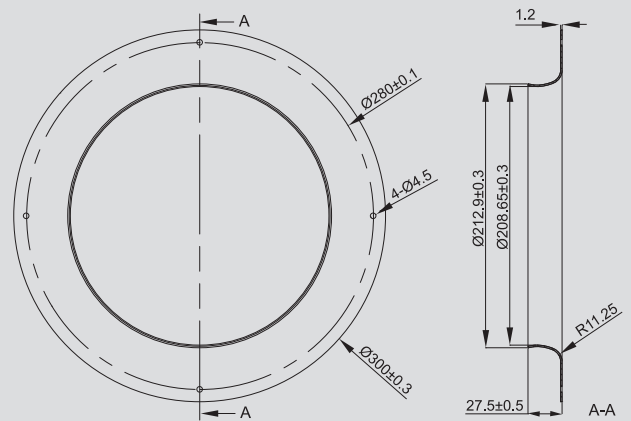
400A (For UF400AAA)
*Galvanized Steel



360A (For UF360AAA)
*Galvanized Steel



250A (For UF250APA)
*Galvanized Steel



318A (For UF318AAA)
*Galvanized Steel

* Dimensions of fan guards are only for reference, for details please send your inquiry.